

7

Characteristics and Dimensions

1 Molded Case Circuit Breakers 140

• NF30-CS	140
• NF32-SV, NF63-CV/SV/HV	142
• NF125-CV/SV/HV	144
• NF125-UV	146
• NF250-CV/SV/HV	148
• NF250-UV	150
• NF125-SGV/LGV/HGV/RGV, NF160-SGV/LGV/HGV, NF250-SGV/LGV/HGV/RGV	152
• NF125-SEV/HEV, NF250-SEV/HEV	154
• NF400-CW/SW	156
• NF400-SEW/HEW/REW	158
• NF400-UEW	160
• NF630-CW/SW	162
• NF630-SEW/HEW/REW	164
• NF800-CEW/SEW/HEW/REW	166
• NF800-SDW	168
• NF800-UEW	170
• NF1000-SEW, NF1250-SEW	172
• NF1250-SDW	174
• NF1600-SEW	176
• NF1600-SDW	178

2 Earth Leakage Circuit Breakers 180

• NV32-SV, NV-63CV/SV/HV	180
• NV125-CV/SV/HV	182
• NV250-CV/SV/HV	184
• NV125-SEV/HEV, NV250-SEV/HEV	186
• NV400-CW/SW	188
• NV400-SEW/HEW/REW	190
• NV630-CW/SW	192
• NV630-SEW/HEW	194
• NV800-SEW/HEW	196

3 UL 489 Listed Circuit Breakers 198

• NF50-SVFU, NV50-SVFU	198
• NF100-CVFU, NV100-CVFU	200
• NF125-SVU/HVU, NV125-SVU/HVU	202
• NF225-CWU	204
• NF250-SVU/HVU, NV250-SVU/HVU	206
• NF400-SWU/HWU	208
• NF630-SWU/HWU	210

4 Measuring Display Unit Breakers 212

• NF250-SEV/HEV with MDU	212
• NF400-SEP/HEP with MDU	214
• NF630-SEP/HEP with MDU, NF800-SEP/HEP with MDU ...	216

5 Miniature Circuit Breakers, Residual Current Circuit Breakers, Residual Current Circuit Breakers with Overcurrent Protection and Isolating Switch 218

• BH, BH-P	218
• BH-D6, BH-D10	219
• BH-DN	220
• BV-D	221
• BV-DN	222
• KB-D	223

6 Circuit Protectors 224

• CP30-BA	224
-----------------	-----

7 Electrical Operated Circuit Breakers 225

NV32-SV
NV63-CV
NV63-SV
NV63-HV

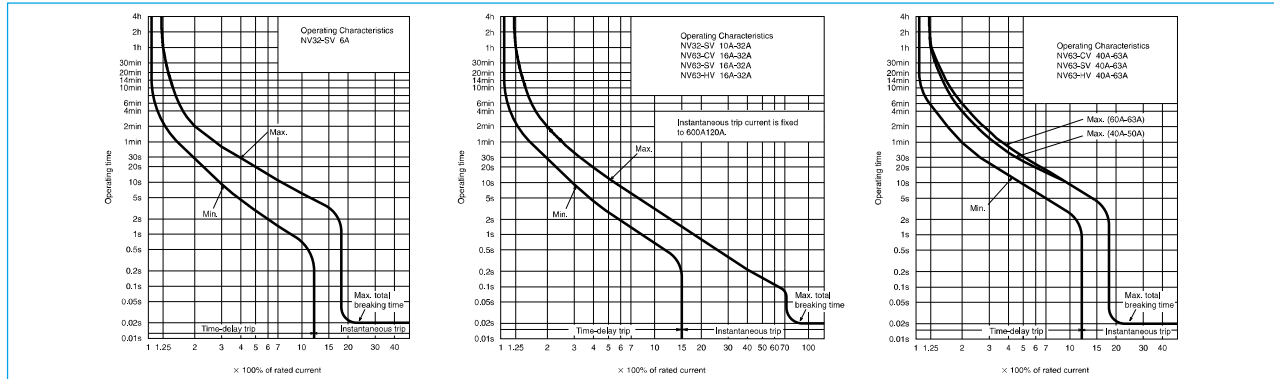


NV63-SV

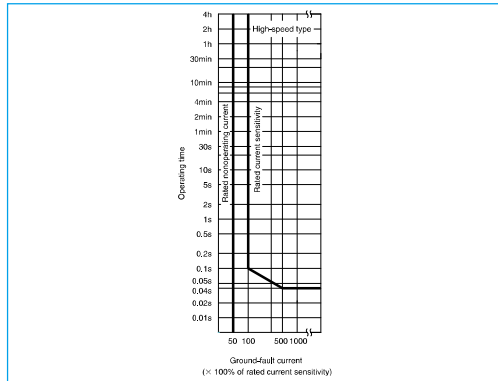
Model		NV32-SV		NV63-CV		NV63-SV		NV63-HV	
Rated current I _n (A)		(5) 6 10 (15) 16 20 25 (30) 32		(5) (10) (15) 16 20 25 (30) 32 40 50 (60) 63		(5) (10) (15) 16 20 25 (30) 32 40 50 (60) 63		(15) 16 20 25 (30) 32 40 50 (60) 63	
Number of poles		3		2		3		3	
Phase line		3φ3W, 1φ2W		1φ2W		3φ3W, 1φ2W		3φ3W, 1φ2W	
Rated operational voltage U _e (V)		AC 100-440		100-240		100-440		100-440	
High-speed type	Rated current sensitivity (mA)	(15) 30 100/200/500 selectable		30		15 30 100/200/500 selectable		(15) 30 100/200/500 selectable	
	Max operating time (s)	at IΔn at 5IΔn		0.1 0.04		0.1 0.04		0.1 0.04	
Time-delay type	Rated current sensitivity (mA)	-		-		-		-	
	Max operating time (s)	-		-		-		-	
	Inertial operating time (s) (or more)	-		-		-		-	
Earth-leakage indication system		Mechanical type (button)		Mechanical type (button)		Mechanical type (button)		Mechanical type (button)	
Rated short-circuit breaking capacity (kA)	IEC 60947-2 (I _{cu} /I _{cs})	AC	440V	5/5	-	2.5/2.5	-	7.5/7.5	10/8
			415V	5/5	-	2.5/2.5	-	7.5/7.5	10/8
			400V	5/5	-	5/5	-	7.5/7.5	10/8
			230V	10/10	-	7.5/7.5	-	15/15	25/19
			200V	10/10	-	7.5/7.5	-	15/15	25/19
			100V	10/10	-	7.5/7.5	-	15/15	25/19
Standard attached parts (Front connection)			Mounting screw: M4×0.7×55 (2pcs) (*1)			Insulation barrier: (2P: 1pc, 3P: 2pcs)			

Note *1 Attached to NV63-SV and NV63-HV.

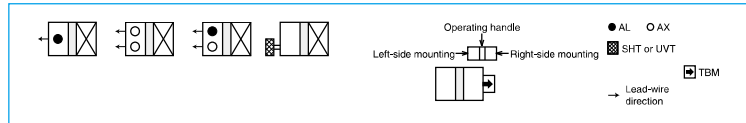
Operating Characteristics



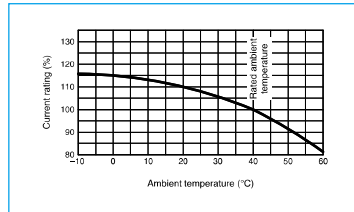
Earth leakage Tripping Characteristics



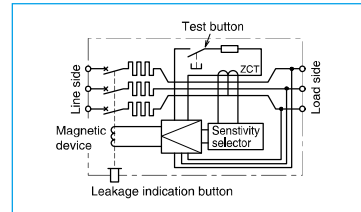
Internal Accessories



Temperature Compensation Curve



Internal Wiring Diagram



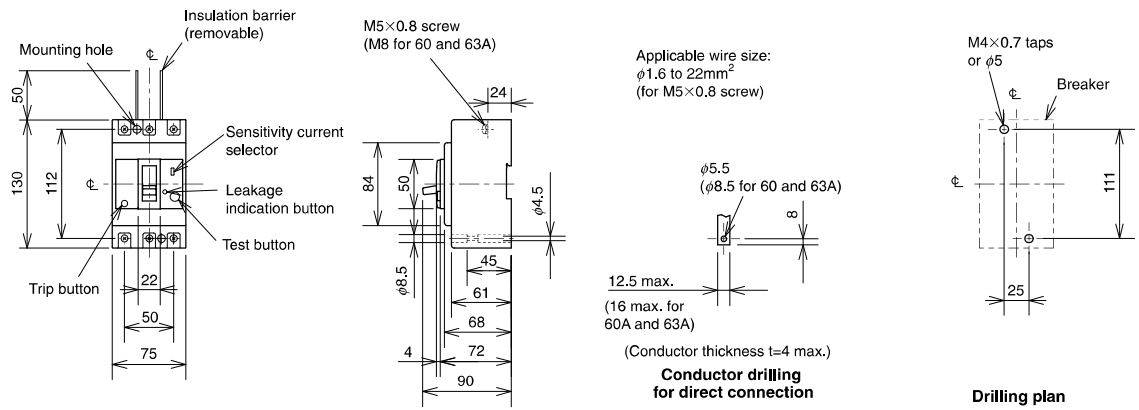
External Accessories

Accessories		Type name	Reference page	Accessories		Type name	Reference page
Operating handle	F	F-05SV	117	Mechanical interlock	MI	MI-05SV3	129
	V	V-05SV	119	Terminal cover	Small	TC-S	TCS-05SV3
Handle lock device	LC	LC-05SV	127		Large	TC-L	TCL-05SV3
	HL (*1)	HLF-05SV			TCL-05SV3L		
		HLN-05SV			TTC-05SV3		
	HL-S	HLS-05SV			BTC-05SV3		
				Plug-in	PTC	PTC-05SV3	121
				IEC 35mm rail mounting adapters	DIN-05SV		137

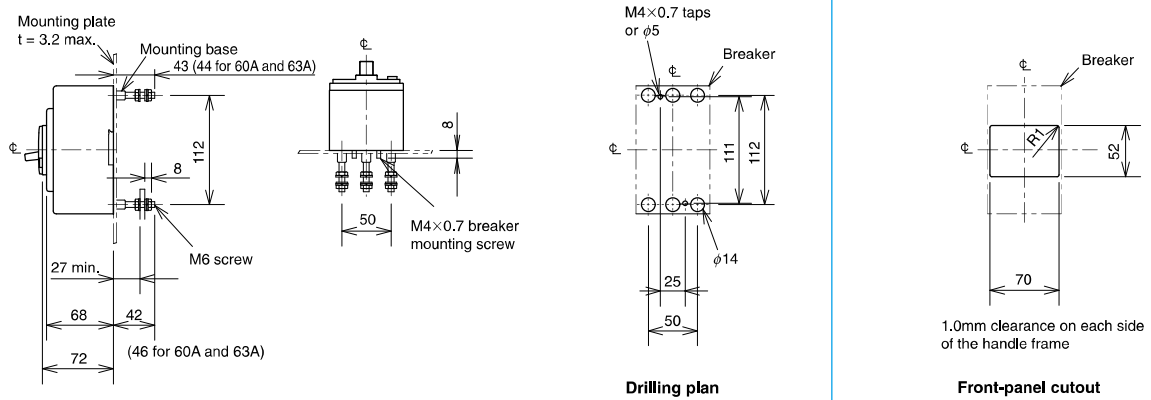
Note *1 HLF types are used for OFF lock and HLN types for ON lock.

Outline Drawing

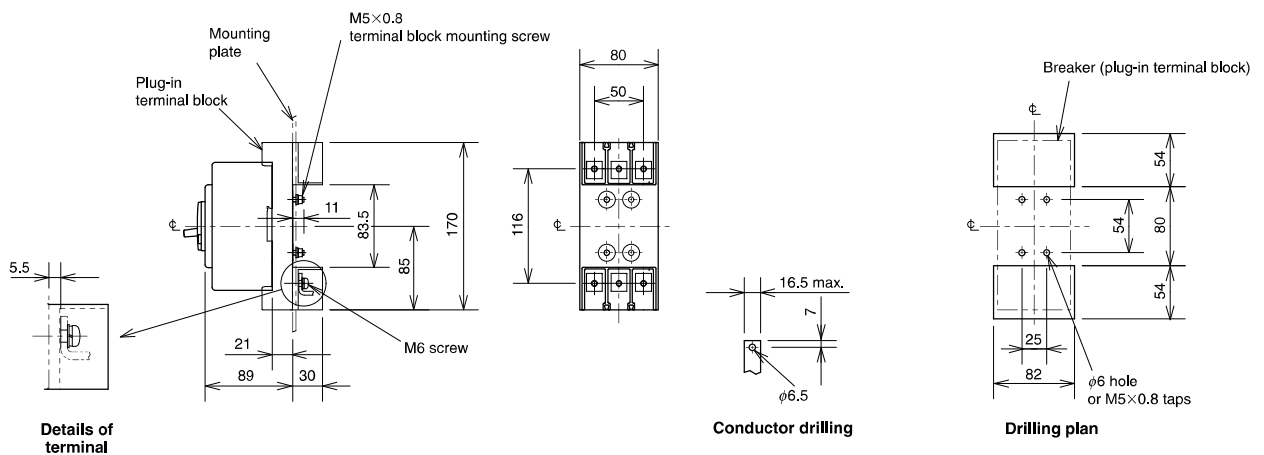
Front connection



Rear connection



Plug-in



Remark: 1. 2-pole models are 3-pole models with the central pole removed.

NV125-CV NV125-SV NV125-HV

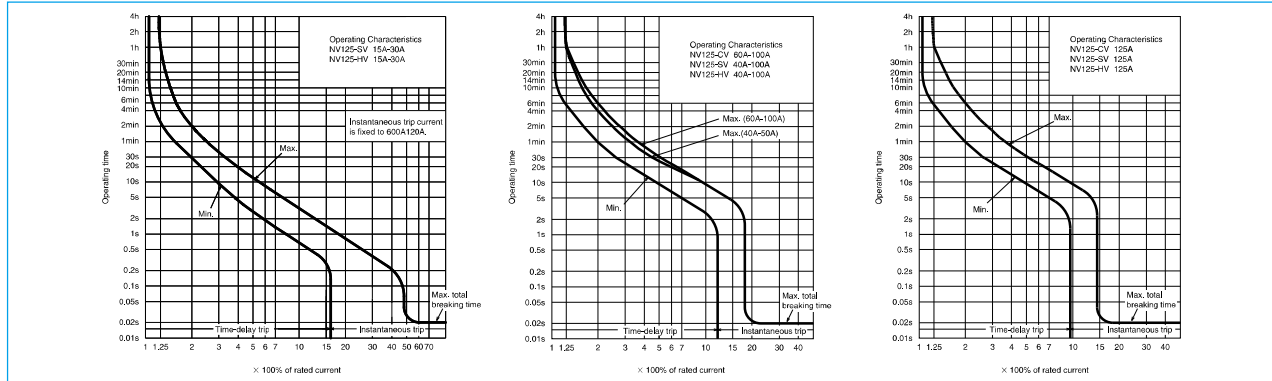


NV125-SV

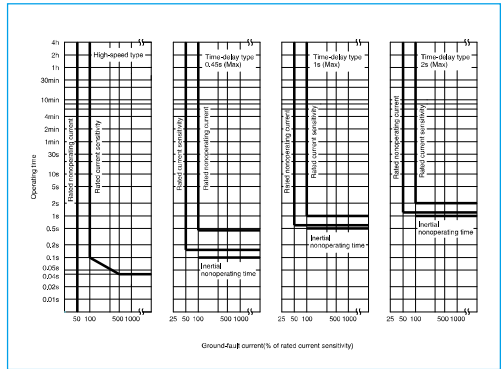
Model		NV125-CV				NV125-SV		NV125-HV	
Rated current In (A)		(60) 63 (75) 80 100 125				(15) 16 20 30 32 40 50 (60) 63 (75) 80 100 125 (*2)		(15) 16 20 (30) 32 40 50 (60) 63 75 80 100 125 (*2)	
Number of poles		3				3	4	3	4
Phase line		3φ3W, 1φ2W				3φ3W, 1φ2W	3φ4W	3φ3W, 1φ2W	3φ4W
Rated operational voltage Ue (V)		AC 100-440				100-440	200-440	100-440	200-440
High-speed type	Rated current sensitivity (mA)	(15) 30 100/200/500 selectable				30 100/200/500 selectable		(30) 100/200/500 selectable	
	Max operating time (s)	at IΔn 0.1 at 5IΔn 0.04				0.1 0.04		0.1 0.04	
Time-delay type	Rated current sensitivity (mA)	(100/200/500 selectable)				(100/200/500 selectable)		(100/200/500 selectable)	
	Max operating time (s)	(0.45/1.0/2.0 selectable)				(0.45/1.0/2.0 selectable)		(0.45/1.0/2.0 selectable)	
	Inertial operating time (s) (or more)	(0.1/0.5/1.0)				(0.1/0.5/1.0)		(0.1/0.5/1.0)	
Earth-leakage indication system		Mechanical type (button)				Mechanical type (button)		Mechanical type (button)	
Rated short-circuit breaking capacity (kA)	IEC 60947-2 (Icu/lcs)	AC	440V	10/5		25/25		50/38	
			415V	10/5		30/30		50/38	
			400V	10/5		30/30		50/38	
			230V	30/15		50/50		100/75	
			200V	30/15		50/50		100/75	
100V	30/15		50/50		-		100/75		
Standard attached parts (Front connection)			Mounting screw: M4×0.7×55 (3P: 2pcs, 4P: 4pcs) (*1) Insulation barrier: (3P: 2pcs, 4P: 3pcs)						

Note *1 Attached to NV125-SV and NV125-HV.
*2 In case of time delay type, rated current is produced with 20 amp. or more.

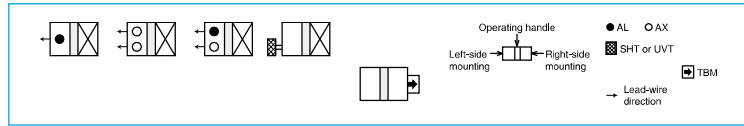
Operating Characteristics



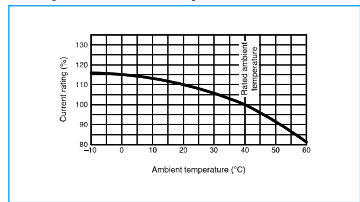
Earth leakage Tripping Characteristics



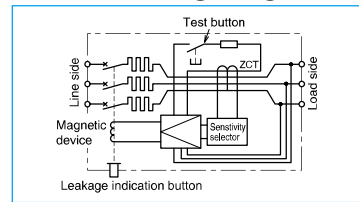
Internal Accessories



Temperature Compensation Curve



Internal Wiring Diagram



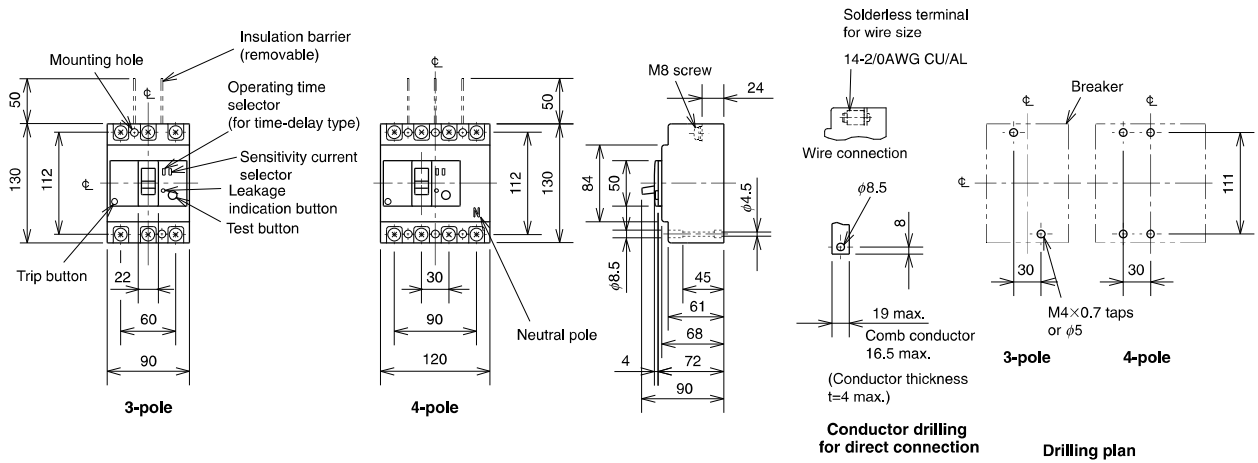
External Accessories

Accessories		Type name	Reference page	Accessories		Type name	Reference page		
Operating handle	F	F-1SV	117	Mechanical interlock	MI 3P	MI-05SV3	129		
	V	V-1SV	119		MI 4P	MI-1SV4			
Handle lock device	LC	LC-05SV	127	Terminal cover	Small	TC-S	TCS-1SV3	121	
	HL (*1)	HLF-05SV			Large	TC-L	3P		TCL-1SV3
		HLN-05SV			4P	TCL-1SV4			
		HLS			HLS-05SV	Skeleton	TTC		TTC-1SV3
			Rear		BTC	BTC-1SV3			
				Plug-in	PTC	PTC-1SV3			
				Electrical operation device	(*2)		133		

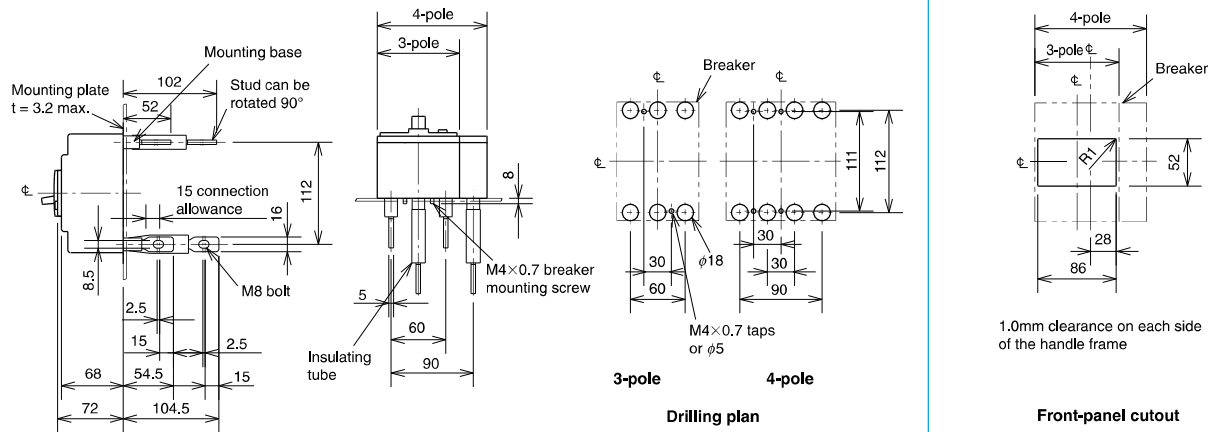
Notes *1 HLF types are used for OFF lock and HLN types for ON lock.
*2 Specify the working voltage. Refer to the reference page for type name.

Outline Drawing

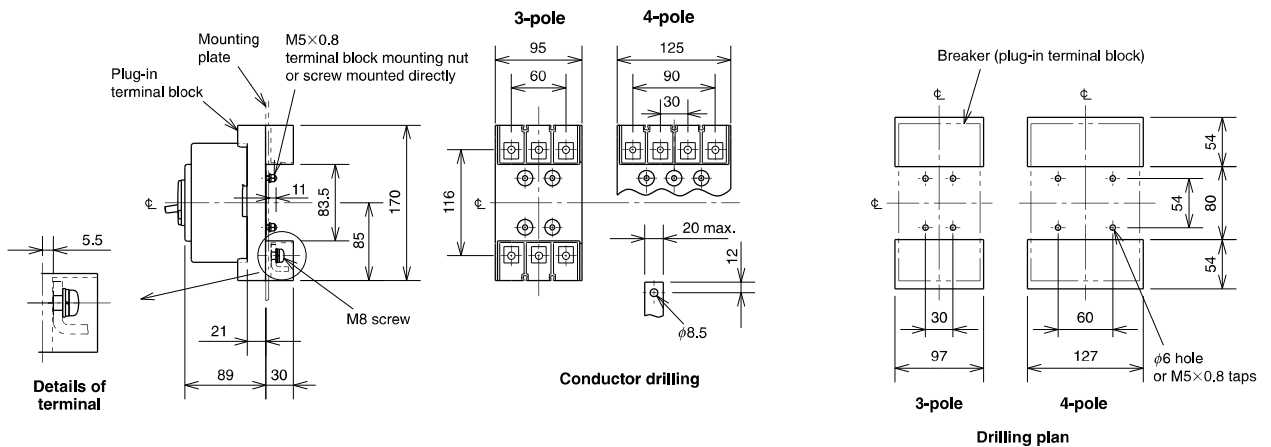
Front connection



Rear connection



Plug-in



Remark: 1. Only 3-pole models are available for NV125-CV.

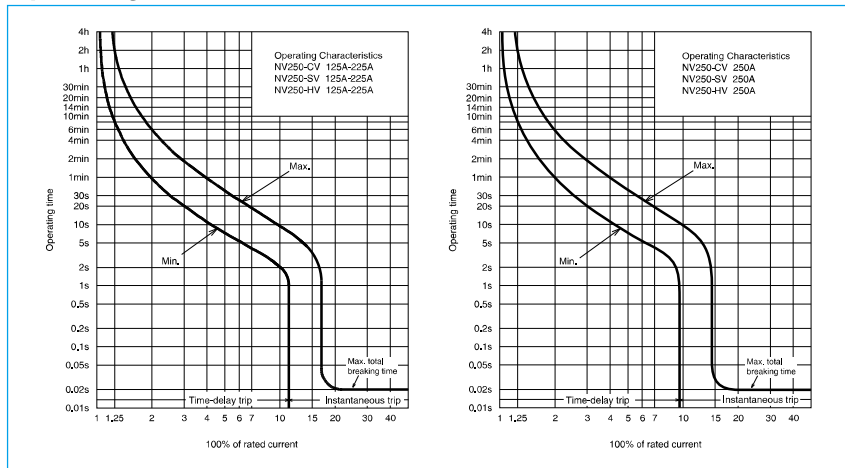
NV250-CV NV250-SV NV250-HV



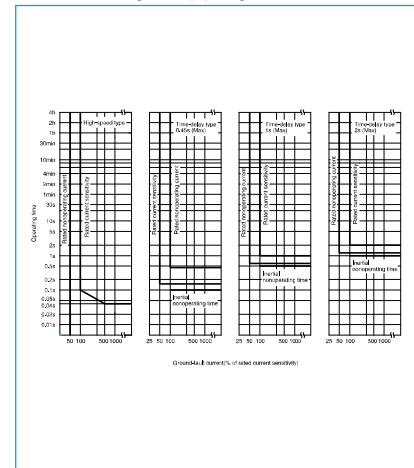
NV250-CV

Model		NV250-CV		NV250-SV		NV250-HV		
Rated current I _n (A)		125 150 175 200 225 250		125 150 175 200 225 250		125 150 175 200 225 250		
Number of poles		3		3	4	3	4	
Phase line		3φ3W, 1φ2W		3φ3W, 1φ2W	3φ4W	3φ3W, 1φ2W	3φ4W	
Rated operational voltage U _e (V)		AC 100-440		100-440	200-440	100-440	200-440	
High-speed type	Rated current sensitivity (mA)	30 100/200/500 selectable		(30) 100/200/500 selectable		(30) 100/200/500 selectable		
	Max operating time (s)	at I _{Δn}	0.1		0.1		0.1	
		at 5I _{Δn}	0.04		0.04		0.04	
Time-delay type	Rated current sensitivity (mA)	(100/200/500 selectable)		(100/200/500 selectable)		(100/200/500 selectable)		
	Max operating time (s)	(0.45/1.0/2.0 selectable)		(0.45/1.0/2.0 selectable)		(0.45/1.0/2.0 selectable)		
	Inertial operating time (s) (or more)	(0.1/0.5/1.0)		(0.1/0.5/1.0)		(0.1/0.5/1.0)		
Earth-leakage indication system		Mechanical type (button)		Mechanical type (button)		Mechanical type (button)		
Rated short-circuit breaking capacity (kA)	IEC 60947-2 (Icu/Ics)	AC	440V	15/12	36/36	65/65		
			415V	25/19	36/36	70/70		
			400V	25/19	36/36	75/75		
			230V	36/27	85/85	100/100		
			200V	36/27	85/85	100/100		
			100V	36/27	85/85	100/100		
Standard attached parts (Front connection)		Mounting screw: M4×0.7×55 (3P: 2pcs, 4P: 4pcs)		Insulation barrier: (3P: 4pcs, 4P: 6pcs)				

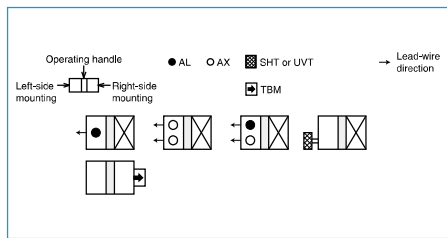
Operating Characteristics



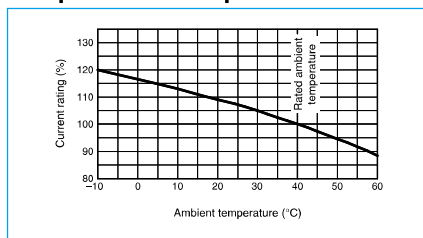
Earth leakage Tripping Characteristics



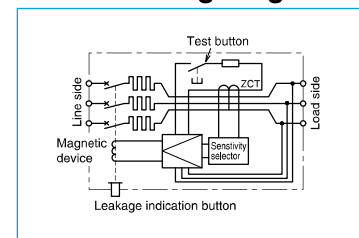
Internal Accessories



Temperature Compensation Curve



Internal Wiring Diagram



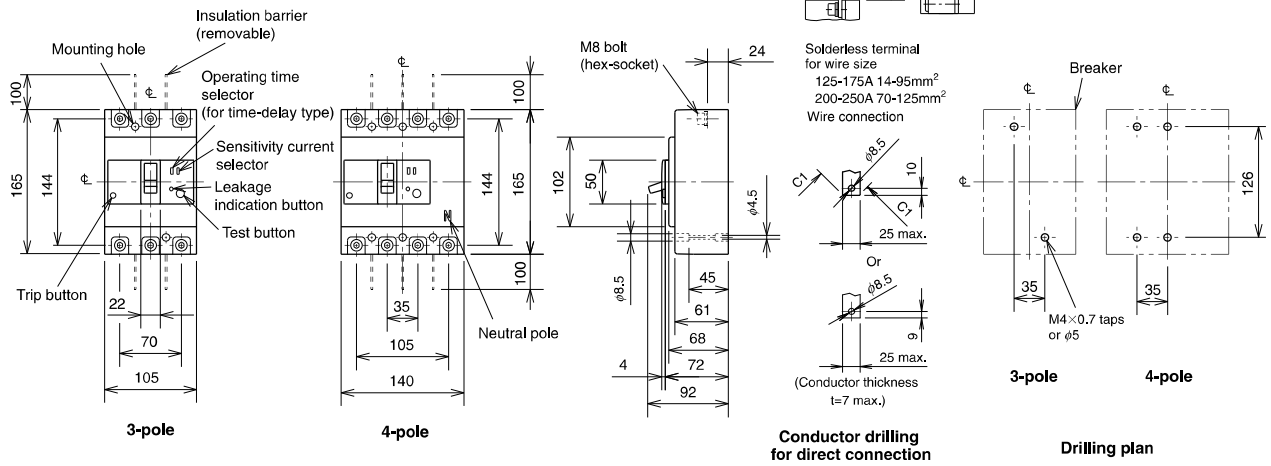
External Accessories

Accessories				Accessories			
		Type name	Reference page			Type name	Reference page
Operating handle	F	F-2SV	117	Mechanical interlock	MI	3P MI-05SV3	129
	V	V-2SV	119		4P MI-2SV4		
Handle lock device	LC	LC-05SV	127	Terminal cover	Small	3P TCS-2SV3	121
	HL (*1)	HLF-05SV				3P TCL-2SV3	
		HLN-05SV			4P TCL-2SV3L		
		HLS-2SV			4P TCL-2SV4		
			3P TTC-2SV3				
			3P BTC-2SV3				
			3P PTC-2SV3				
Electrical operation device				(*2)			
				133			

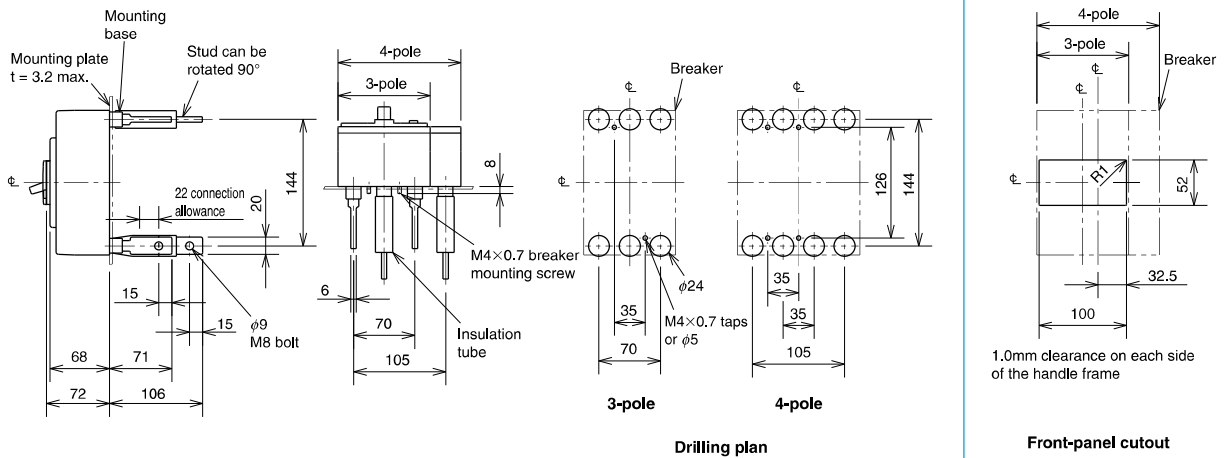
Notes *1 HLF types are used for OFF lock and HLN types for ON lock.
*2 Specify the working voltage. Refer to the reference page for type name.

Outline Drawing

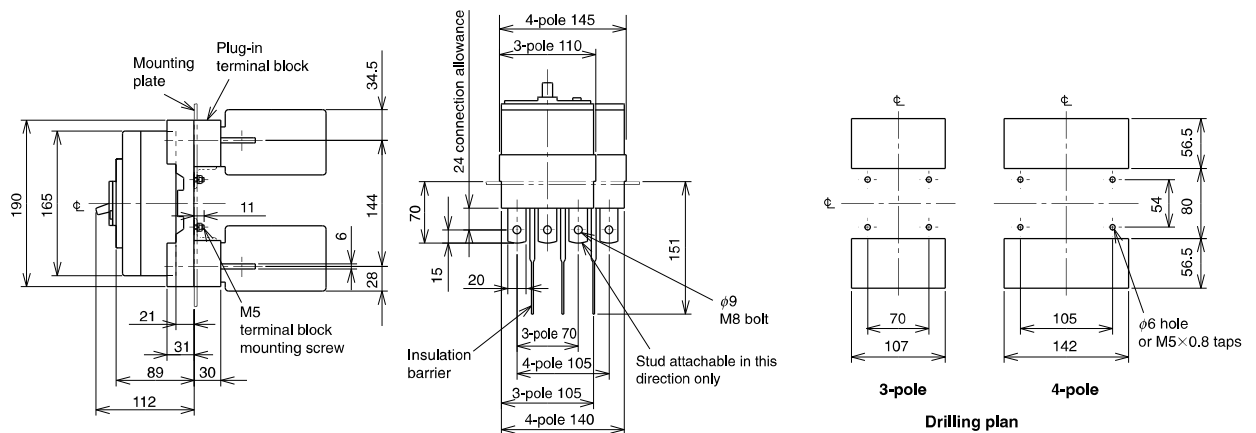
Front connection



Rear connection



Plug-in



Remark: 1. Only 3-pole models are available for the model of NV250-CV.

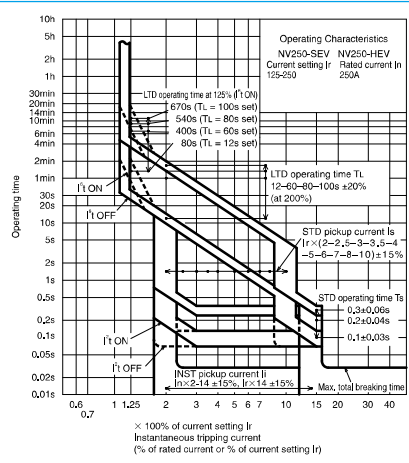
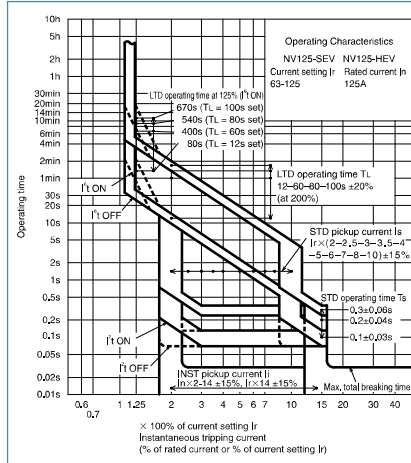
NV125-SEV NV125-HEV NV250-SEV NV250-HEV



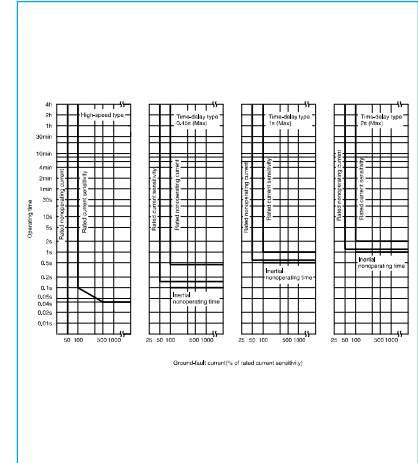
NV250-SEV

Model		NV125-SEV		NV125-HEV		NV250-SEV		NV250-HEV		
Rated current In (A)		125		125		250		250		
Current setting Ir (A)		63-125		63-125		125-250		125-250		
Number of poles		3		4		3		3		
Phase line type		3φ3W, 1φ2W		3φ4W		3φ3W, 1φ2W		3φ3W, 1φ2W		
Rated operational voltage Ui		V		440		440		440		
Rated operational voltage Ue (V)		AC		100-440		100-440		100-440		
High-speed type	Rated current sensitivity (mA)	100/200/500 selectable		100/200/500 selectable		100/200/500 selectable		100/200/500 selectable		
	Max operating time (s)	at IΔn	0.1		0.1		0.1		0.1	
		at 5IΔn	0.04		0.04		0.04		0.04	
Time-delay type	Rated current sensitivity (mA)	(100/200/500 selectable)		(100/200/500 selectable)		(100/200/500 selectable)		(100/200/500 selectable)		
	Max operating time (s)	(0.45/1.0/2.0 selectable)		(0.45/1.0/2.0 selectable)		(0.45/1.0/2.0 selectable)		(0.45/1.0/2.0 selectable)		
	Inertial operating time (s) (or more)	(0.1/0.5/1.0)		(0.1/0.5/1.0)		(0.1/0.5/1.0)		(0.1/0.5/1.0)		
Earth-leakage indication system		Mechanical type (button)		Mechanical type (button)		Mechanical type (button)		Mechanical type (button)		
Rated short-circuit breaking capacity (kA)	IEC 60947-2 (Icu/Ics)	AC	440V	36/36	65/65	36/36	65/65	70/70	75/75	
			415V	36/36	70/70	36/36	70/70	75/75		
			400V	36/36	75/75	36/36	75/75			
			230V	85/85	100/100	85/85	100/100			
			200V	85/85	100/100	85/85	100/100			
			100V	85/85	100/100	85/85	100/100			
Standard attached parts (Front connection)		Mounting screw: M4×0.7×55 (3P: 2pcs, 4P: 4pcs)				Insulation barrier: (3P: 4pcs, 4P: 6pcs)				

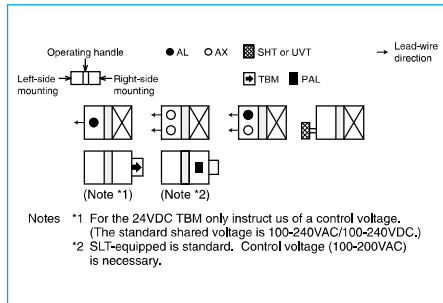
Operating Characteristics



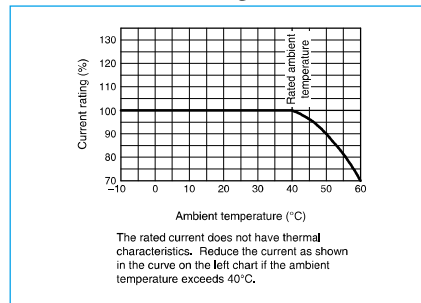
Earth leakage Tripping Characteristics



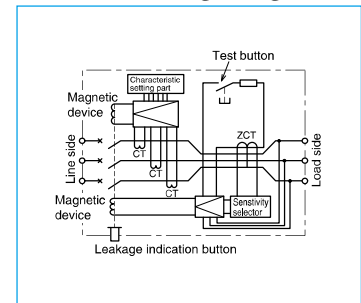
Internal Accessories



Current Reducing Curve



Internal Wiring Diagram

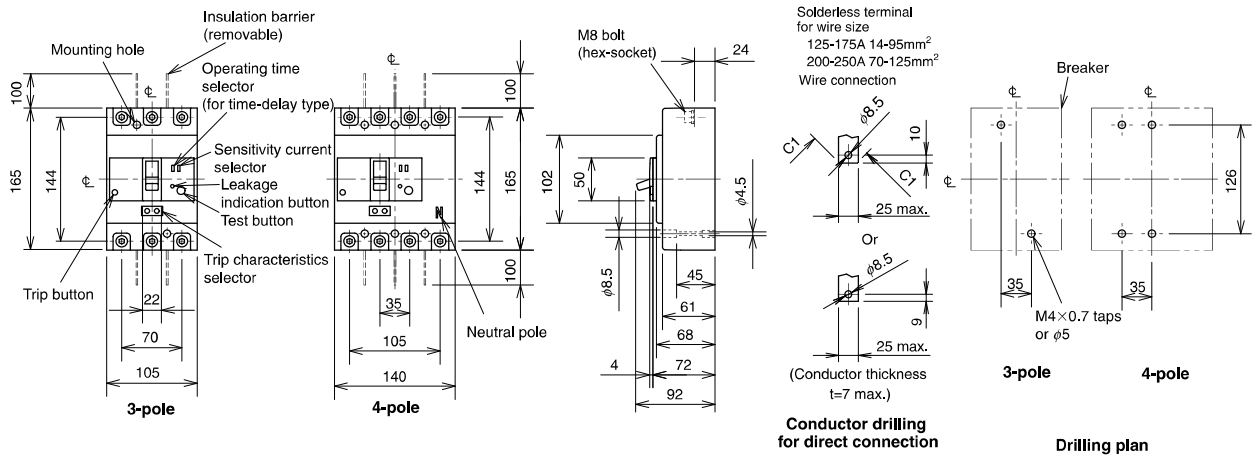


External Accessories

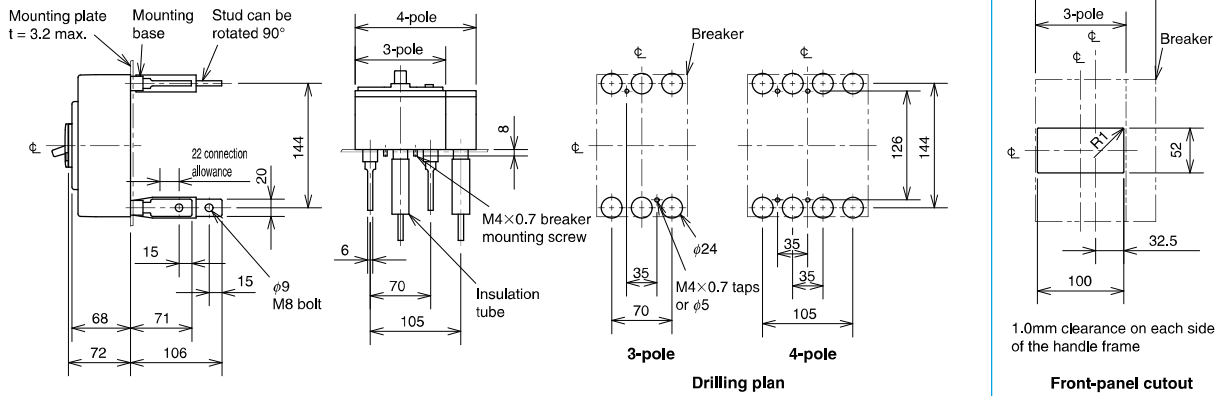
Accessories		Type name	Reference page	Accessories		Type name	Reference page
Operating handle	F	F-2SV	117	Mechanical interlock	MI	3P MI-05SV3	129
	V	V-2SV	119		4P MI-2SV4		
Handle lock device	LC	LC-05SV	127	Terminal cover	Small	3P TCS-2SV3	121
	HL (*1)	HLF-05SV			3P TCL-2SV3		
		HLN-05SV			3P TCL-2SV3L		
		HLS-2SV			4P TCL-2SV4		
		3P TTC-2SV3					
		3P BTC-2SV3					
Electrical operation device		(*2)	133				

Outline Drawing

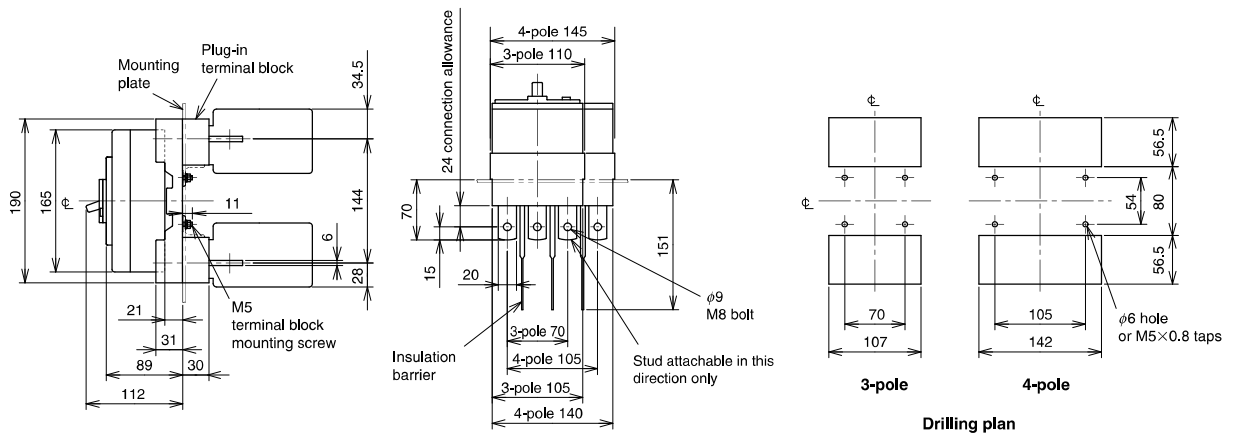
Front connection



Rear connection



Plug-in



Remark: 1. Only 3-pole models are available for the model of NV250-SEV and NV250-HEV.

NV400-CW NV400-SW

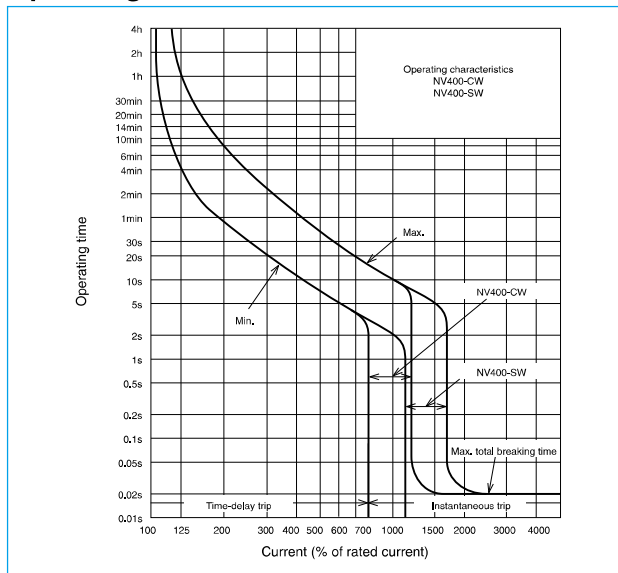


NV400-SW

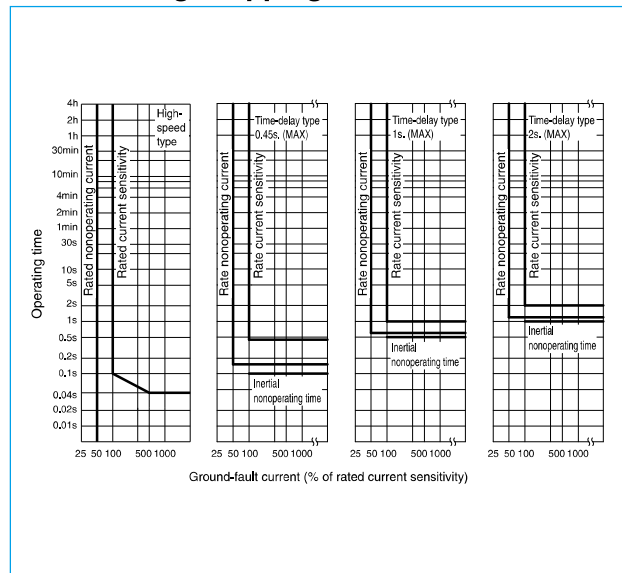
Model		NV400-CW	NV400-SW
Number of poles		3	
Rated operational voltage Ue (V AC) (*1)		100-440 Multi-voltage type	
Rated current In (A)		250	300 350 400
High-speed type	Rated current sensitivity $I\Delta n$ (mA)	(30) 100 · 200 · 500 Selectable	
	Max. operating time at $5I\Delta n$ (s)	0.04	
Time-delay type	Rated current sensitivity $I\Delta n$ (mA)	(100 · 200 · 500 Selectable)	
	Max. operating time at $2I\Delta n$ (s)	(0.45 · 1.0 · 2.0 Selectable)	
	Inertial non-operating time at $2I\Delta n$ (s)	(0.1 · 0.5 · 1.0)	
Earth-leakage indication system		Button	
Rated short-circuit breaking capacity (kA) IEC 60947-2 (Icu/lcs) EN 60947-2	AC	440V	25/13 42/42
		400V	36/18 45/45
		230V	50/25 85/85
Standard attached parts (Front connection)		Mounting screw: M6x60 (4pcs) Insulation barrier: (4pcs)	

Note *1 Rated operational voltage of time-delay type is for 200-440V.

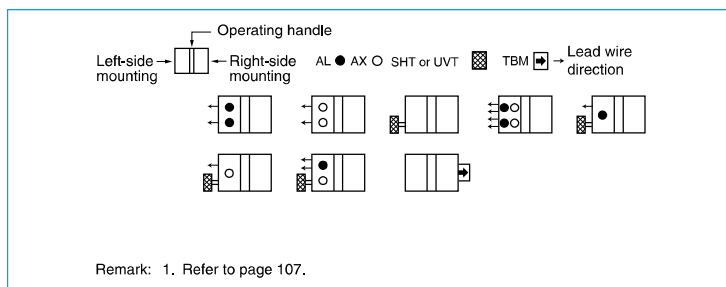
Operating Characteristics



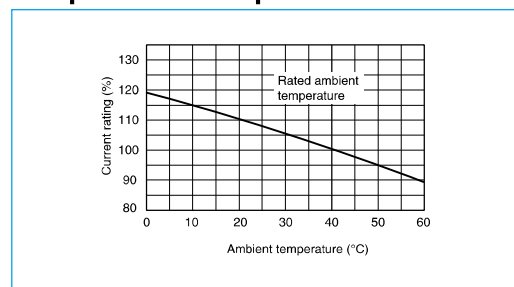
Earth Leakage Tripping Characteristics



Internal Accessories



Temperature Compensation Curve

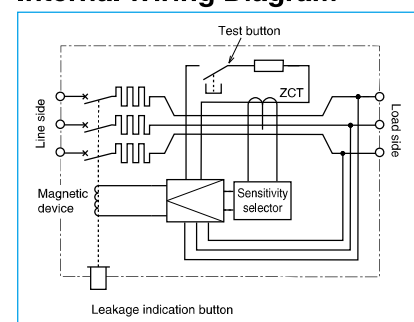


External Accessories

Accessories	Type name	Reference page	Accessories	Type name	Reference page
Operating handle	F	F-4S	Auxiliary handle	HT	HT-4CW, HT-4SW
	V	V-4S			128
Mechanical interlock	MI	MI-4SW3	Terminal cover	Large	TC-L
				Skeleton	TTC
				Rear	BTC
			Handle lock device	HL	HL-4CW, HL-4SW
				HL-S	HLS-4SW
			Electrical operation device	(*1)	133

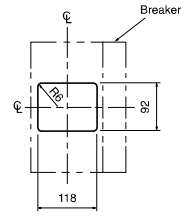
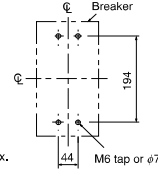
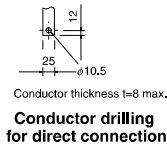
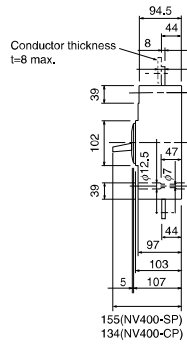
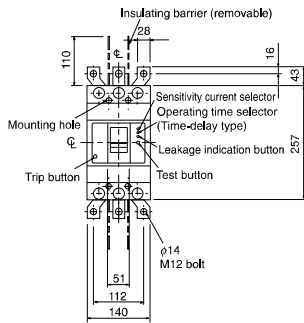
Note *1 Specify the operation method and voltage. Order in combination with the breaker unit.

Internal Wiring Diagram



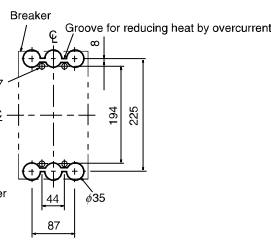
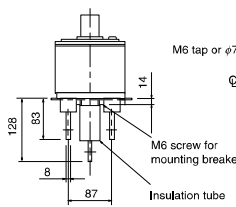
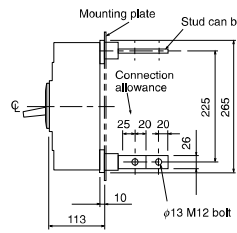
Outline Drawing

Front connection

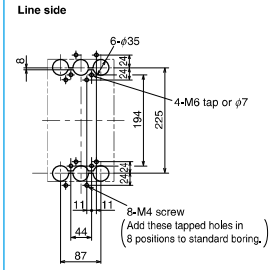


Front-panel cutout

Rear connection



Boring dimensions for rear connection type barriers (3-pole)



Note The bore dimensional drawing shows the breaker viewed from the rear.

NV400-SEW NV400-HEW NV400-REW

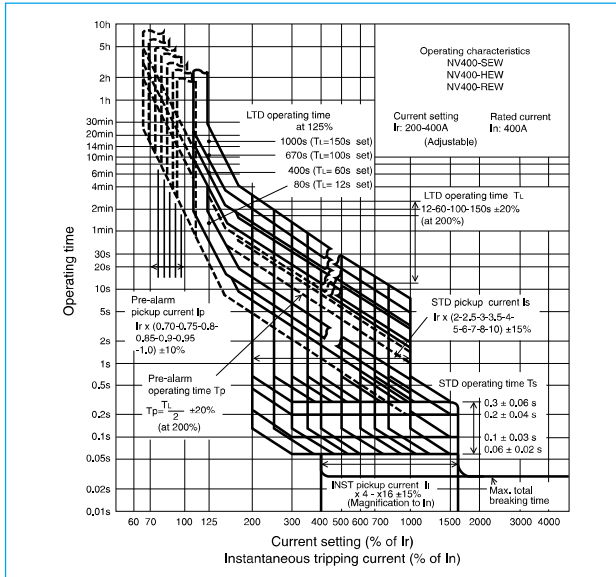


NV400-SEW

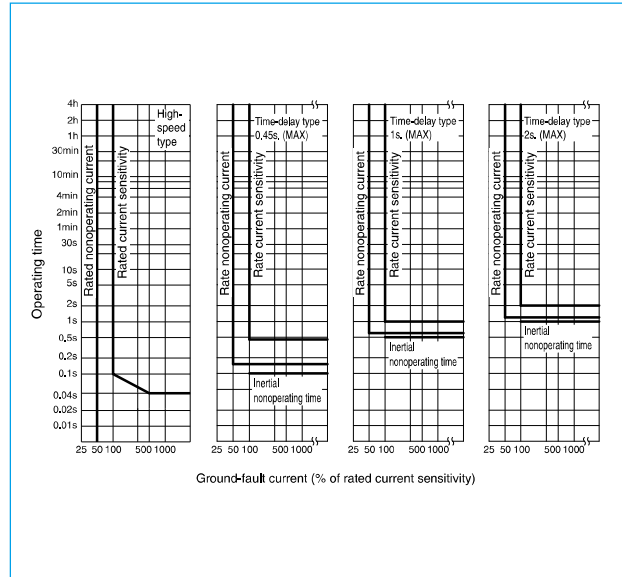
Model		NV400-SEW	NV400-HEW	NV400-REW
Number of poles		3	4	3
Rated operational voltage Ue (V AC) (*1)		100-440 Multi-voltage type		
Rated current In (A)		200-400 adjustable		
High-speed type	Rated current sensitivity Δn (mA)	(30) 100 · 200 · 500 Selectable		
	Max. operating time at $5I\Delta n$ (s)	0.04		
Time-delay type	Rated current sensitivity Δn (mA)	(100 · 200 · 500 Selectable)		
	Max. operating time at $5I\Delta n$ (s)	(0.45 · 1.0 · 2.0 Selectable)		
	Max. inertial non-operating time at $2I\Delta n$ (s)	(0.1 · 0.5 · 1.0)		
Earth-leakage indication system		Button		
Rated short-circuit breaking capacity (KA) IEC 60947-2 (Icu/Ics) EN 60947-2	AC	440V	42/42	65/65
		400V	50/50	70/70
		230V	85/85	100/100
Standard attached parts (Front connection)		Mounting screw: M6x72 (4pcs) Insulation barrier: (3P: 4pcs, 4P: 6pcs)		

Note *1 Rated operational voltage of time-delay type is for 200-440V.

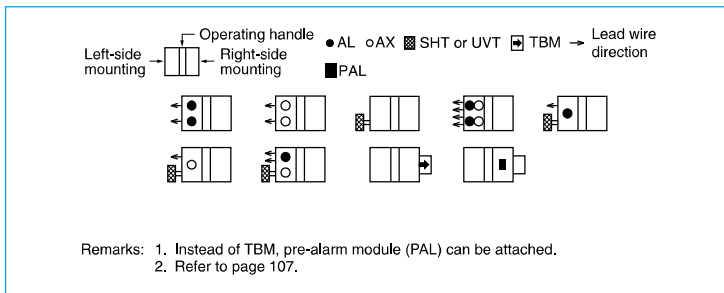
Operating Characteristics



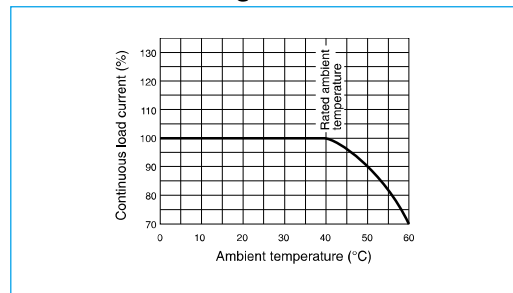
Earth Leakage Tripping Characteristics



Internal Accessories



Current Reducing Curve

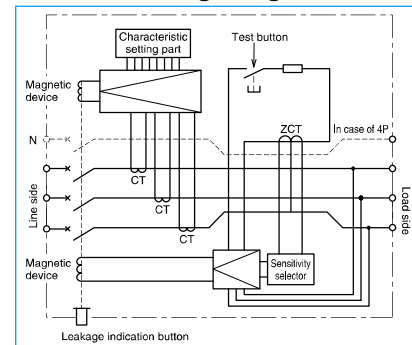


External Accessories

Accessories	Type name	Reference page	Accessories	Type name	Reference page
Operating handle	F	F-4S	Auxiliary handle	HT	HT-4SW
	V	V-4S		3P	TCL-4SW3 (*1)
Mechanical interlock	MI	3P	MI-4SW3	4P	TCL-4SW4 (*1)
		4P	MI-4SW4	3P	TTC-4SW3
				4P	TTC-4SW4
Terminal cover	Rear		BTC	3P	BTC-4SW3 (*2)
				4P	BTC-4SW4
		HL	HL-4SW		
Handle lock device			HL-S	HLS-4SW	127
Electrical operation device			NVM	3P	(*3)
				4P	

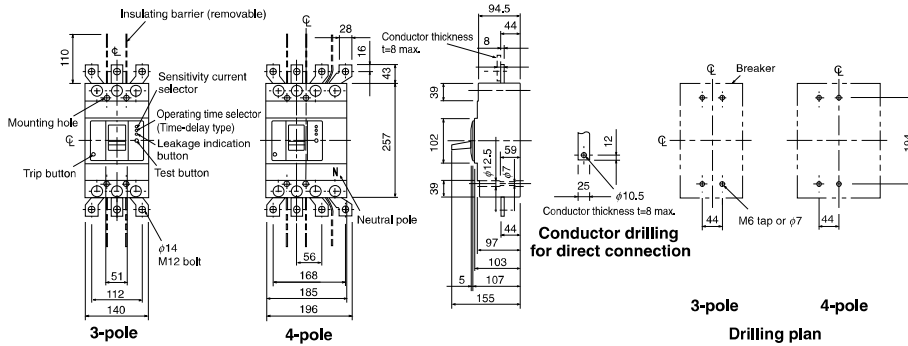
Notes *1 This is for NV400-SEW. *2 This is for NV400-SEW. For rear terminal cover of NV400-HEW/REW, use PTC-4SW3. *3 Specify the operation method and voltage. Order in combination with the breaker unit.

Internal Wiring Diagram

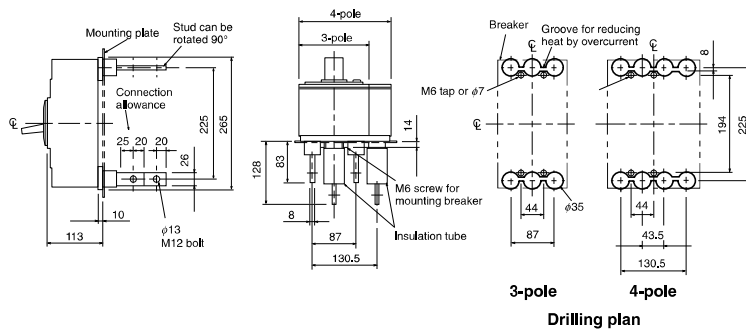


Outline Drawing

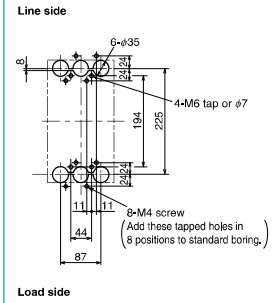
Front connection



Rear connection



Boring dimensions for rear connection type barriers (3-pole)



Note The bore dimensional drawing shows the breaker viewed from the rear.

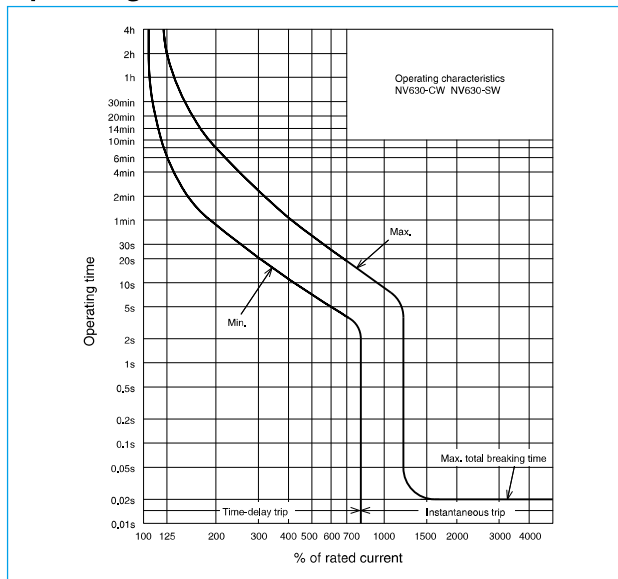
NV630-CW NV630-SW



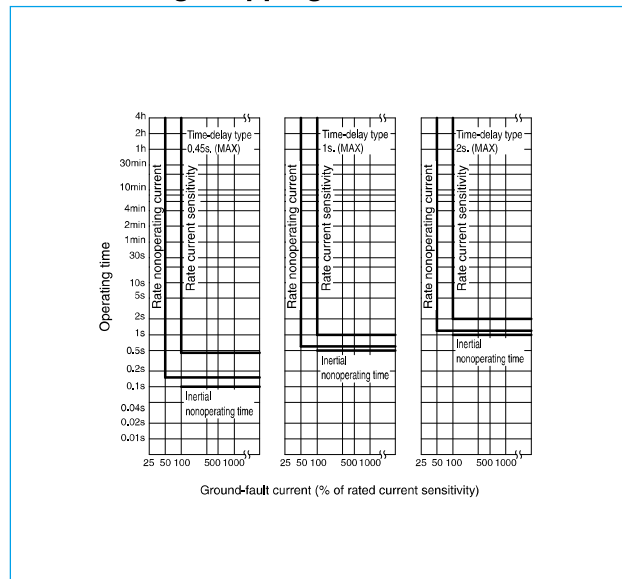
NV630-SW

Model		NV630-CW	NV630-SW
Number of poles		3	
Rated operational voltage Ue (V AC)		100-440 Multi-voltage type	
Rated current In (A)		500 600 630	
High-speed type	Rated current sensitivity $I\Delta n$ (mA)	-	
	Max. operating time at $5I\Delta n$ (s)	-	
Time-delay type	Rated current sensitivity $I\Delta n$ (mA)	100 · 200 · 500 Selectable	
	Max. operating time at $5I\Delta n$ (s)	0.45 · 1.0 · 2.0 Selectable	
	Max. inertial non-operating time at $2I\Delta n$ (s)	0.1 · 0.5 · 1.0	
Earth-leakage indication system		Button	
Rated short-circuit breaking capacity (kA) IEC 60947-2 (Icu/Ics) EN 60947-2	AC	440V	36/18 42/42
		400V	36/18 50/50
		230V	50/25 85/85
Standard attached parts (Front connection)		Mounting screw: M6x72 (4pcs) Insulation barrier: (4pcs)	

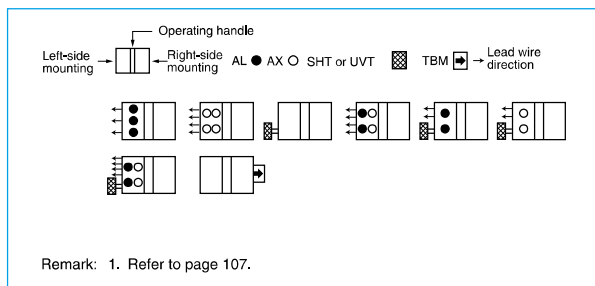
Operating Characteristics



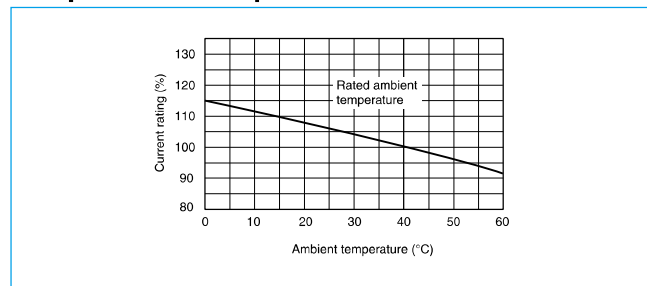
Earth Leakage Tripping Characteristics



Internal Accessories



Temperature Compensation Curve

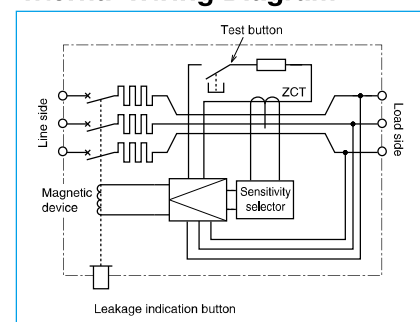


External Accessories

Accessories	Type name	Reference page	Accessories	Type name	Reference page
Operating handle	F	F-4S	Auxiliary handle	HT	HT-4SW 128
	V	V-4S	Large	TC-L	TCL-4SW3
Mechanical interlock	MI	MI-4SW3	Skeleton	TTC	TTC-4SW3 121
			Rear	BTC	BTC-4SW3
			Handle lock device	HL	HL-4SW 127
			HL-S	HLS-4SW	
			Electrical operation device	(*1)	133

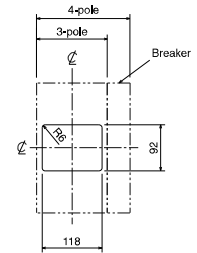
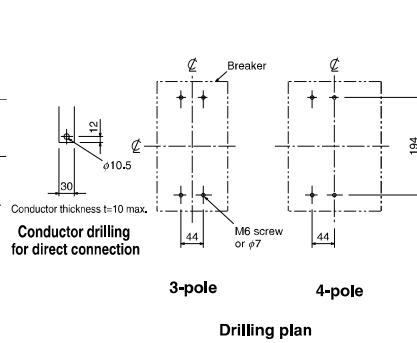
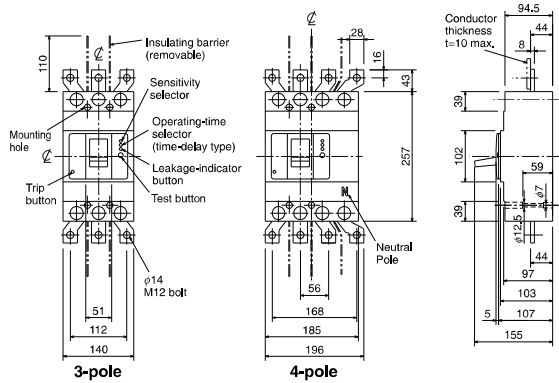
Note *1 Specify the operation method and voltage. Order in combination with the breaker unit.

Internal Wiring Diagram



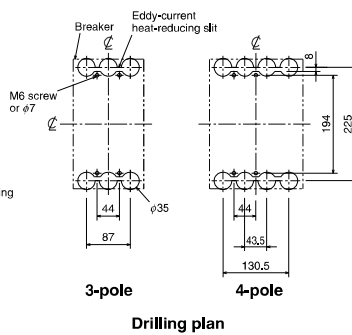
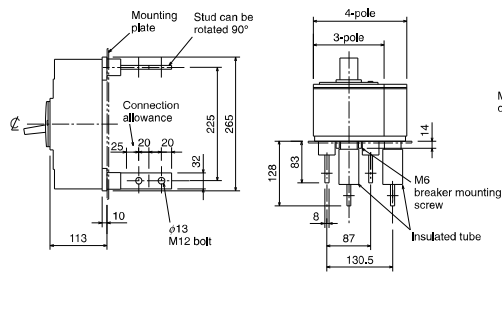
Outline Drawing

Front connection

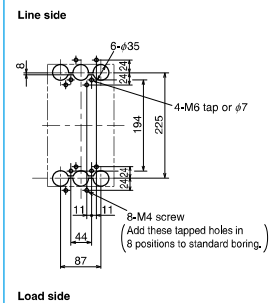


1mm clearance on each side of handle
Front-plate cutout

Rear connection



Boring dimensions for rear connection type barriers (3-pole)



Note The bore dimensional drawing shows the breaker viewed from the rear.

NV630-SEW NV630-HEW

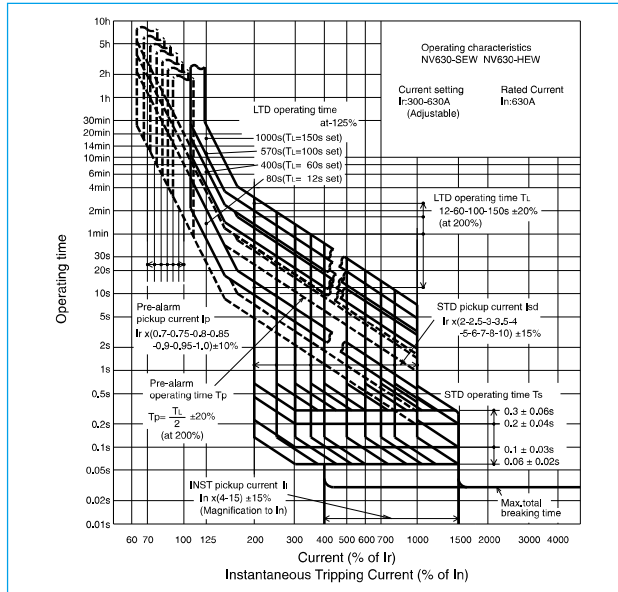


NV630-SEW

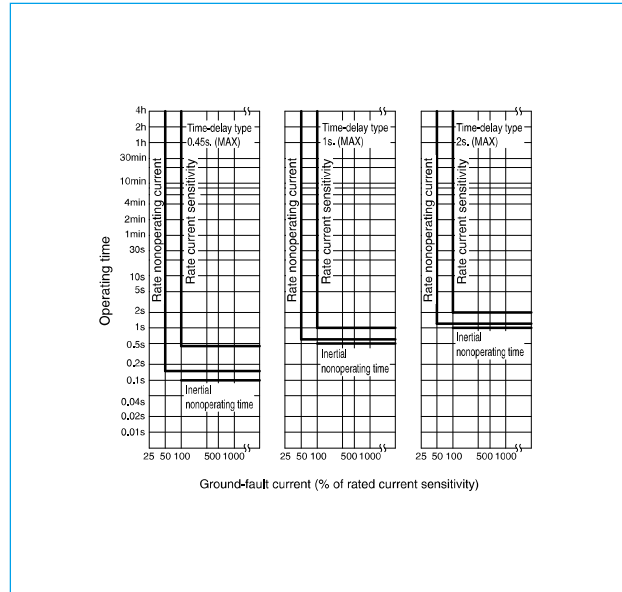
Model		NV630-SEW	NV630-HEW	
Number of poles		3	4	3
Rated operational voltage Ue (V AC) (*1)		100-440 Multi-voltage type		
Rated current In (A)		300-630 adjustable		
High-speed type	Rated current sensitivity IΔn (mA)	-		
	Max. operating time at 5IΔn (s)	-		
Time-delay type	Rated current sensitivity IΔn (mA)	(100 · 200 · 500 Selectable)		
	Max. operating time at 5IΔn (s)	(0.45 · 1.0 · 2.0 Selectable)		
	Max. inertial non-operating time at 2IΔn (s)	(0.1 · 0.5 · 1.0)		
Earth-leakage indication system		Button		
Rated short-circuit breaking capacity (kA) IEC 60947-2 (Icu/Ics) EN 60947-2	AC	440V	42/42	65/65
		400V	50/50	70/70
		230V	85/85	100/100
Standard attached parts (Front connection)		Mounting screw: M6×72 (4pcs) Insulation barrier: (3P: 4pcs, 4P: 6pcs)		

Note *1 Rated operational voltage of time-delay type is for 200-440V.

Operating Characteristics



Earth Leakage Tripping Characteristics



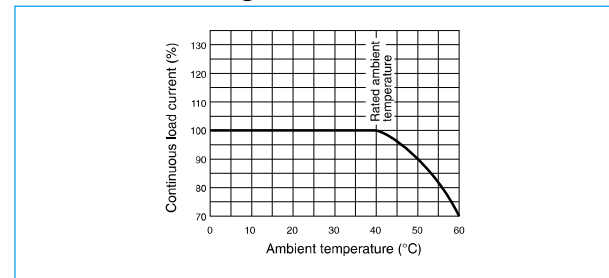
Internal Accessories

Left-side mounting → Right-side mounting → Operating handle

- AL ○ AX ■ SHT or UVT □ TBM → Lead wire direction
- PAL

Remarks: 1. Instead of TBM, pre-alarm module (PAL) can be attached.
2. Refer to page 107.

Current Reducing Curve

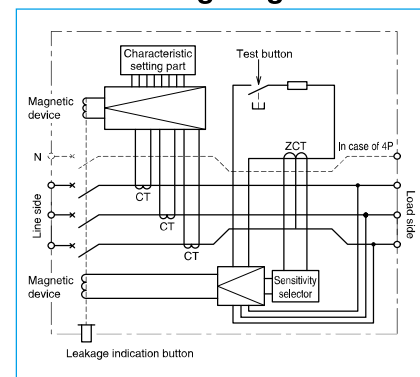


External Accessories

Accessories	Type name	Reference page	Accessories	Type name	Reference page		
Operating handle	F	F-4S	Auxiliary handle	HT	HT-4SW		
	V	V-4S					
Mechanical interlock	MI	3P	Terminal cover	Large	121		
		MI-4SW3		TC-L		3P	TCL-4SW3 (*1)
		MI-4SW4		4P		TCL-4SW4 (*1)	
			Skeleton	TTC	3P	TTC-4SW3	
				4P	TTC-4SW4		
			Rear	BTC	3P	BTC-4SW3 (*2)	
				4P	BTC-4SW4		
			Handle lock device	HL	HL-4SW		
				HL-S	HLS-4SW		
			Electrical operation device	NVM	3P	(*3)	
				4P	133		

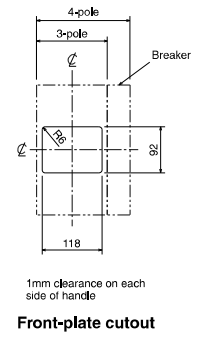
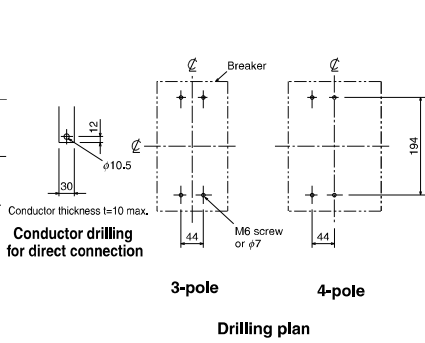
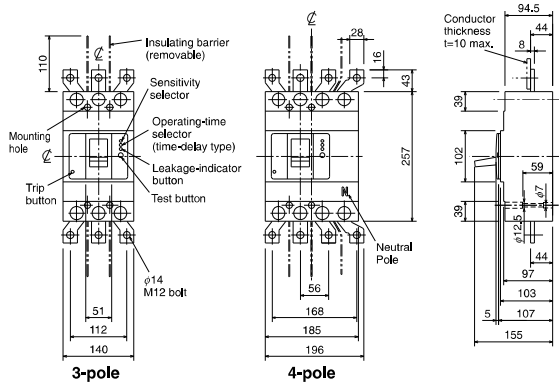
Notes *1 This is for NV630-SEW.
*2 This is for NV630-HEW. For rear terminal cover of NV630-HEW, use PTC-4SW3.
*3 Specify the operation method and voltage. Order in combination with the breaker unit.

Internal Wiring Diagram

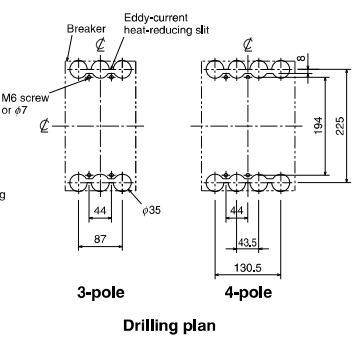
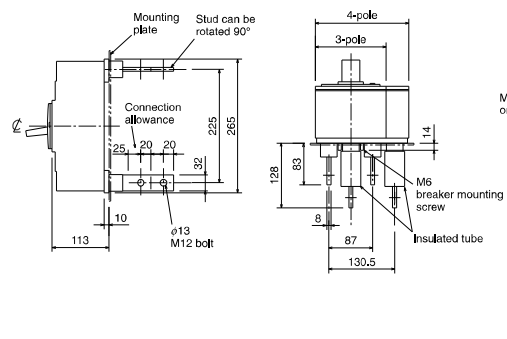


Outline Drawing

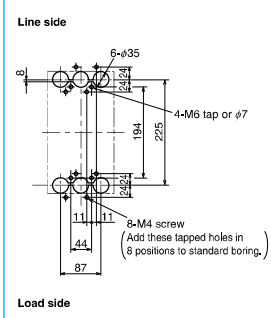
Front connection



Rear connection



Boring dimensions for rear connection type barriers (3-pole)



Note The bore dimensional drawing shows the breaker viewed from the rear.

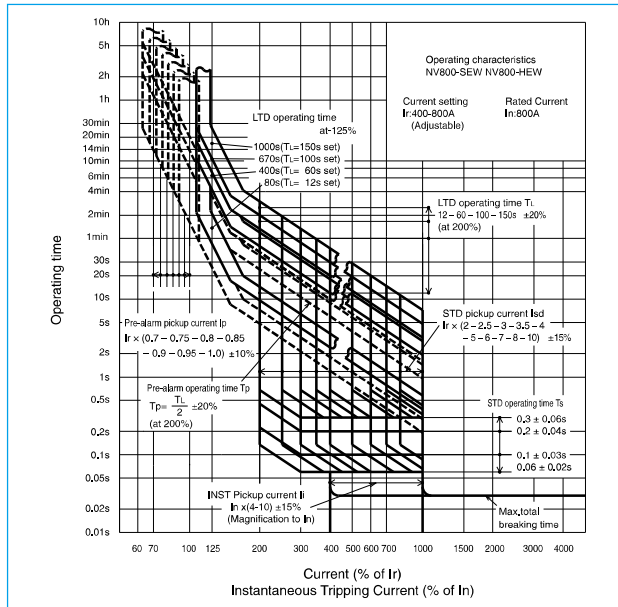
NV800-SEW NV800-HEW



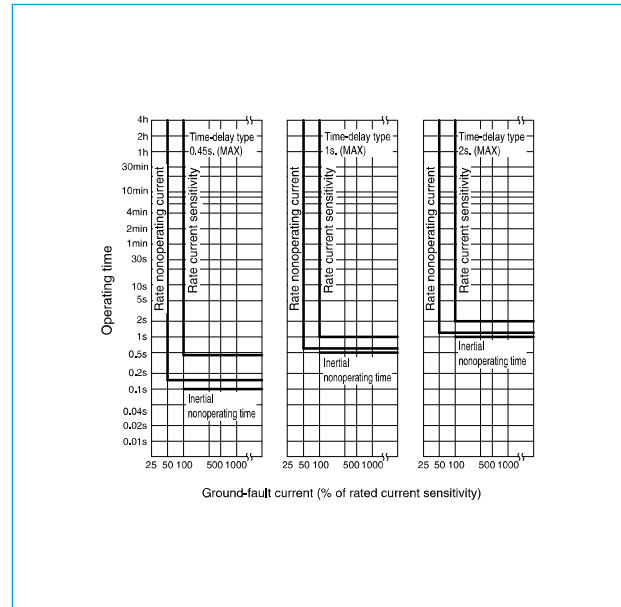
NV800-SEW

Model		NV800-SEW	NV800-HEW
Number of poles		3	
Rated operational voltage Ue (V AC)		100-440 Multi-voltage type	
Rated current In (A)		400-800 adjustable	
High-speed type	Rated current sensitivity IΔn (mA)	-	
	Max. operating time at 5IΔn (s)	-	
Time-delay type	Rated current sensitivity IΔn (mA)	100 · 200 · 500 Selectable	
	Max. operating time at 5IΔn (s)	0.45 · 1.0 · 2.0 Selectable	
	Max. inertial non-operating time at 2IΔn (s)	0.1 · 0.5 · 1.0	
Earth-leakage indication system		Button	
Rated short-circuit breaking capacity (kA) IEC 60947-2 (Icu/Ics) EN 60947-2	AC	440V	42/42 65/65
		400V	50/50 70/70
		230V	85/85 100/100
Standard attached parts (Front connection)		Mounting screw: M6×35 (4pcs) Insulation barrier: (2pcs)	

Operating Characteristics



Earth Leakage Tripping Characteristics



Internal Accessories

Left-side mounting Right-side mounting

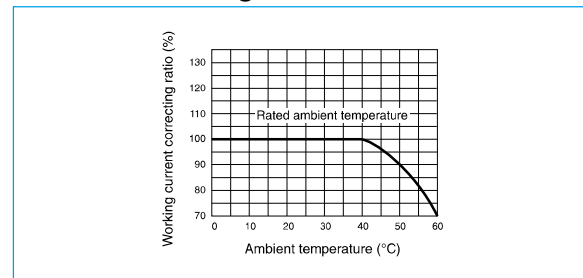
Operating handle

● AL ○ AX ■ SHT or UVT □ TBM → Lead wire direction

■ PAL

Remarks: 1. Instead of TBM, pre-alarm module (PAL) or trip indicator (TI) can be attached.
2. Refer to page 107.

Current Reducing Curve

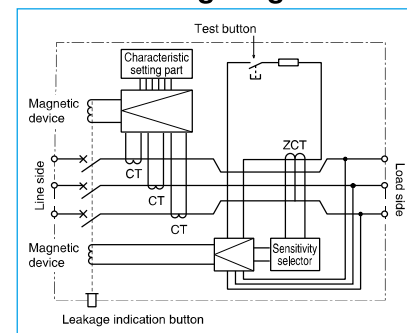


External Accessories

Accessories	Type name	Reference page	Accessories	Type name	Reference page	
Operating handle	F	F-8S	Auxiliary handle	HT	HT-4SW	
	V	V-8S				
Mechanical interlock	MI	MI-8SW3	Terminal cover	Large	TC-L	TCL-8SW3
				Skeleton	TTC	TTC-8SW3
			Terminal cover	Rear	BTC	BTC-8SW3
			Handle lock device	HL	HL-4SW	
				HL-S	HLS-8SW	
Electrical operation device		(*1)		133		

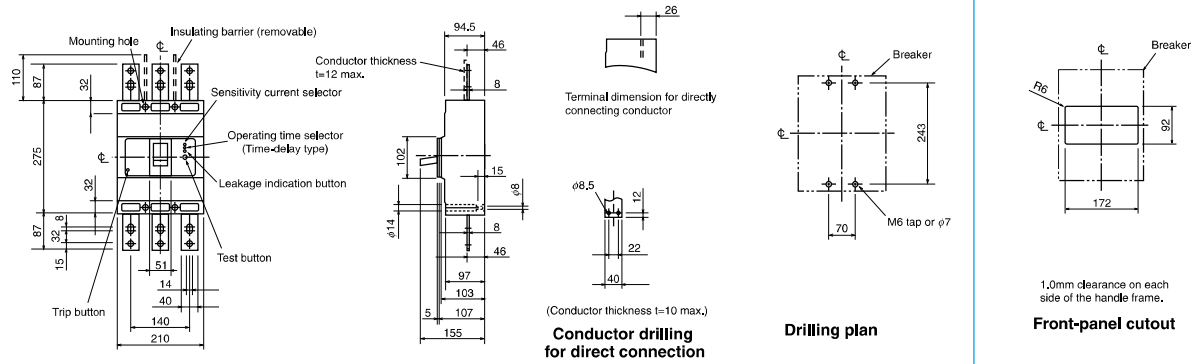
Note *1 Specify the operation method and voltage. Order in combination with the breaker unit.

Internal Wiring Diagram

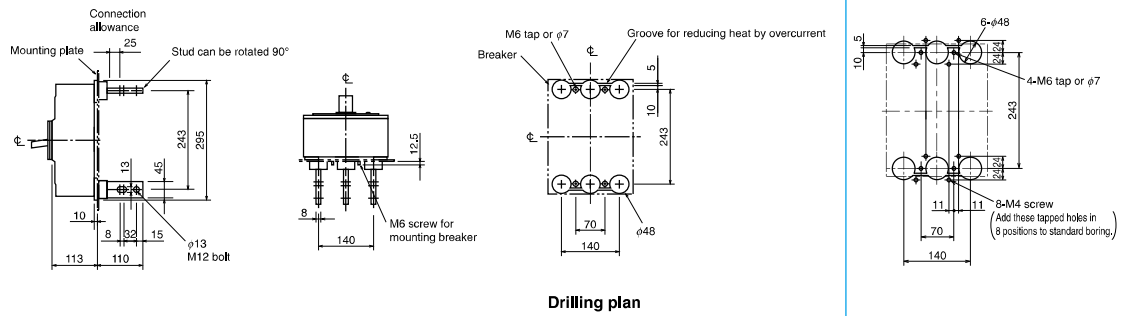


Outline Drawing

Front connection



Rear connection



Note The bore dimensional drawing shows the breaker viewed from the rear.